

# S130 SKID-STEER LOADER



**Bobcat®**

# SKID-STEER LOADER S130

## PERFORMANCE S130

Rated operating capacity	600 kg
Tipping load	1200 kg
Hydraulic pump capacity	64 l/min
Travel speed	11.8 km/h
Operating weight	2268 kg

## ENGINE

Make/Model	Kubota V2203-M-DI-E2B-BC-3
Fuel/Cooling	Diesel / Water
Power at governed RPM	34.3 kW (46 HP)
EEC 890/1269 (ISO 9249)	@ 2800 RPM
Engine power class	35.3 kW (48 HP)
Cylinders	4
Displacement	2.2 l
Fuel tank capacity	64 l

## DIMENSIONS

Length (with bucket)	3059 mm
Width (with bucket)	1398 mm
Height	1956 mm
Height to bucket pin	2771 mm

## OPERATION

Steering and drive	Forward, reverse, travel speed and steering controlled by two hand levers
Hydraulics	Two foot pedals or advanced hand controls raise/lower lift arms and dump/rollback bucket
Transmission	Hydrostatic four-wheel drive

## STANDARD FEATURES

- Automatically activated glow plugs shutdown
- Bobcat Interlock Control System (BICS™)
- Bob-Tach
- EC Certification
- Foot pedals hydraulics
- Front auxiliary hydraulics
- Horn
- Lift arm support
- Meters/gauges/warning lights/engine shutdown
- Operating lights (front & rear)
- Operator cab (ROPS/FOPS 1)
- Parking brake
- Seat bar
- Seat belt
- Spark arrestor muffler
- Suspension seat (vinyl cover)
- Top, rear and side windows
- 10 x 16.5, 8 ply standard duty

## OPTIONAL FEATURES

- Advanced Control System
- Advanced Hand Controls (AHC)
- Attachment control kit
- Backup alarm
- Cab door
- Catalytic purifier
- Deluxe instrumentation with keyless start system
- Fresh air heater
- Hydraulic bucket positioning
- Lift kit
- Rear auxiliary hydraulics
- Operator cab (FOPS 2)
- Power Bob-Tach
- Suspension seat (cloth cover)
- 7.50 x 15 segmented industrial tires
- 10 x 16.5 segmented flotation tires
- 31 x 15.5 x 15 super flotation tires
- 10 -16.5, 10 ply Bobcat heavy duty off-set

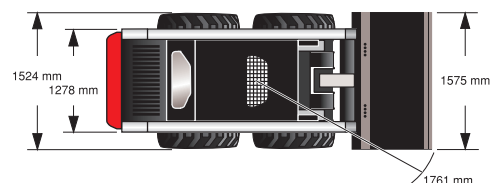
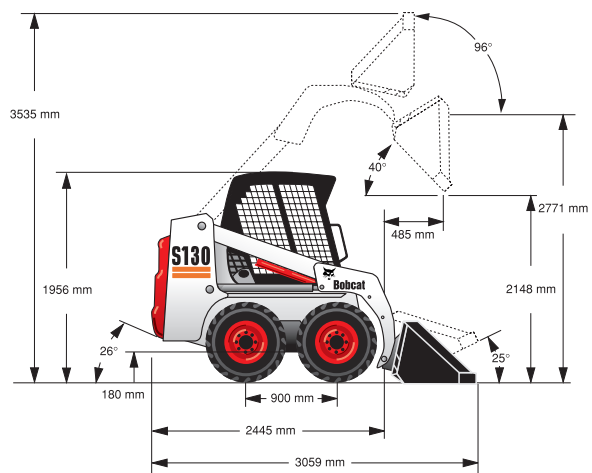
## ATTACHMENTS AVAILABLE

- Angle broom \*
- Angle blade
- Auger
- Backhoe
- Buckets
- Brush cutter
- Chipper
- Combination bucket
- Dozer blade
- Dumper
- Ejector bucket
- Feeding bucket
- Front scarifier
- Grader
- Grapples & forks
- Hydraulic breaker \*
- Hydraulic fork positioner
- Landplane
- Landscape rake
- Mixing bucket
- Pallet forks
- Planer \*
- Rear stabilizers
- Rotary mower
- Salt & sand spreader
- Snow blower
- Sod layer
- Stump grinder
- Super scraper
- Sweeper \*
- Three point hitch
- Tiller
- Tilt-Tatch
- Tracks
- Trencher
- Vibratory roller

\*Attachment control kit required.

## DIMENSIONS

- All dimensions are in mm.
- Loader equipped with 10 x 16.5 offset tires and low profile bucket



### BOBCAT EUROPE

J. Huysmanslaan, 59  
B - 1651 LOT Belgium  
Tel. +32 (0)2 371 68 11  
Fax. +32 (0)2 371 69 01  
E-mail: bobcat\_europe@eu.bobcat.com  
[www.bobcat.com](http://www.bobcat.com)

An **IR** Ingersoll-Rand business